

# DRD2

## 2" Recessed LED Downlight

### Product Description

The DRD2 LED Downlight allows you to bring general ambient lighting into a space with a very small, architectural exposure. The high performing light engine with off-board driver allows for more flexible installations and increased lifetime with improved thermal management. The DRD fixture uses a plenum-rated cable connector to link the downlight module to the remote driver box and then pops into place with its adjustable, spring-loaded retention tabs for a secure fit, eliminating the need for a J-box or recessed housing. Adding ambient or accent lighting in areas such as living rooms, hallways, art niches and display cases is now easier than ever.

#### Construction

- Cast aluminum trim routes heat away from electrical components
- Adjustable, spring loaded retention tabs ensure secure fixture retention
- Certified for direct contact with insulation

#### Optical System

- COB with greater than 90 CRI and an R9 greater than 50
- TIR optic provides smooth, uniform light with a 38° beam angle

#### Electrical

- Off-board driver minimizes installation height and maximizes fixture life through improved heat management
- 120V input to driver
- Dimmable to less than 5% with compatible TRIAC dimmers
- Operating temperature rating of 0°F to 120°F (-18°C to 49°C)
- Lifetime rated for greater than 60,000 hours
- LM-79, LM-80 testing performed in accordance with IESNA standards

#### Finish

- White powder coat finish

#### Installation

- Spring loaded retention arms allow for easy installation with no need for a recessed housing
- Off-board driver/junction box includes three 1/2" KOs and three-port poke-in connectors
- Extension power cables (2', 10', 20') available
- Suitable for damp locations

#### Warranty

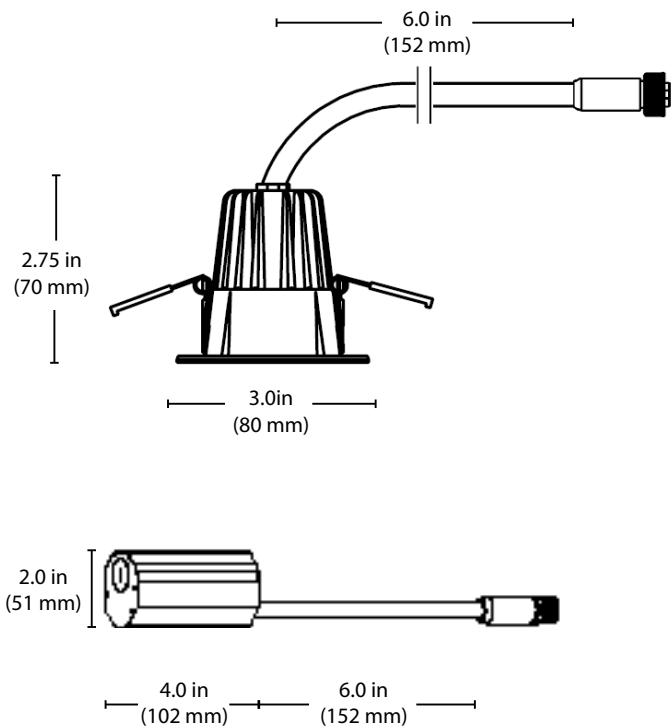
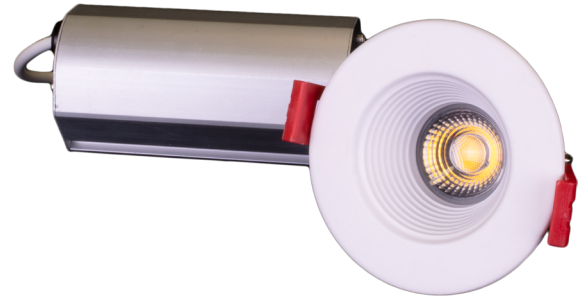
- 5-year limited system warranty standard
- Warranty does not cover product failure due to an overvoltage event (power surge)
- For installations where power surge may be possible, NICOR recommends installing additional surge protection at the electrical distribution panel

Project \_\_\_\_\_

Catalog \_\_\_\_\_

Type \_\_\_\_\_

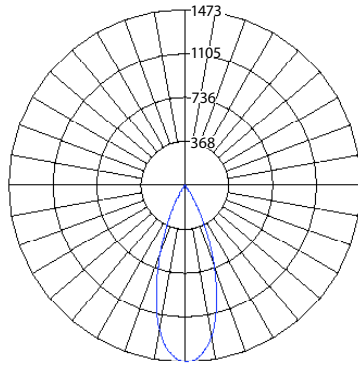
Date \_\_\_\_\_



## Photometric Data

### DRD2 2700K

Input Voltage (VAC)	120V
System Level Power (W)	8.1
Delivered Lumens (Lm)	626
System Efficacy (Lm/W)	77.3
Correlated Color Temp (K)	2718
Color Rendering Index (CRI)	93
Beam Angle	38°
Spacing Criteria	0.62



#### Intensity Summary (Candle Power)

Angle	Mean CP
0	1473
5	1417
15	988
25	379
35	51.4
45	6.4
55	4.7
65	2.8
75	1.4
85	0.2
90	0.0

#### CCT Data Multiplier

DRD211203KWH	1.029
DRD211204KWH	1.056
DRD211205KWH	1.078

#### Cone of Light Tabulation

Mounted height (Feet)	Footcandles Beam Center	Diameter (Feet)
4	92.0	2.8
6	40.9	4.1
8	23.0	5.5
10	14.7	6.9
12	10.2	8.3
14	7.5	9.6
16	5.8	11.0

#### Zonal Lumen Summary

Zone	Lumens	% of Luminaire
0-30	574	91.6%
0-40	612	97.7%
0-60	622	99.3%
0-90	626	100.0%
90-180	0	0.0%
0-180	626	100.0%

Fixture tested per LM-79-08. Photometric data is of the performance of a representative fixture. Results may vary in the field.

#### Performance Data

Model Number	Lumens	Watts	Lumens/Watt
DRD211202KWH	626	8.1	77.3
DRD211203KWH	645	8.1	79.6
DRD211204KWH	662	8.1	81.7
DRD211205KWH	675	8.1	83.4

#### Recommended Dimmers\*

Legrand Adorne softTap ADT703TU703TU
Lutron DIVA DVELV-303P
Lutron RADIO RA RRD-6CL
Lutron Skylark SELV-300P
LEVITON C22-06672-1LW

\*Not a complete list. Check compatibility before installation.

## Ordering Information

Example: DRD211203KWH

Series	Version	Voltage	CCT's	Trim Color
DRD2	1 (Version 1)	120 (120V)	2K (2700 K)	WH (White)
			3K (3000 K)	
			4K (4000 K)	
			5K (5000 K)	

Specifications and dimensions subject to change without notice.

## Accessories

2" Rough In Template	ROUGHIN-TEMPLATE-2
24" Extension Cable	DLE-EXTCABLE-24
10' Extension Cable	DRIVER-EXTCABLE-10
20' Extension Cable	DRIVER-EXTCABLE-20