

DQD2

2" Recessed LED Downlight

Product Description

The DQD2 LED Downlight allows you to bring general ambient lighting into a space with a minimal aperture size. The high performing light engine with off-board driver allows for more flexible installations and increased lifetime with improved thermal management. The DQD fixture uses a plenum-rated cable connector to link the downlight module to the remote driver box and then pops into place with its adjustable, spring-loaded retention tabs for a secure fit, eliminating the need for a J-box or recessed housing. Adding ambient or accent lighting in areas such as living rooms, hallways, art niches and display cases is now easier than ever.

Construction

- Cast aluminum trim routes heat away from electrical components
- Adjustable, spring loaded retention tabs ensure secure fixture retention
- Certified for direct contact with insulation

Optical System

- COB with greater than 90 CRI and an R9 greater than 50
- TIR optic provides smooth, uniform light with a 38° beam angle

Electrical

- Off-board driver minimizes installation height and maximizes fixture life through improved heat management
- 120V input to driver
- Dimmable to less than 5% with compatible TRIAC dimmers
- Operating temperature rating of 0°F to 120°F (-18°C to 49°C)
- Lifetime rated for greater than 60,000 hours
- LM-79, LM-80 testing performed in accordance with IESNA standards

Finish

- White powder coat finish

Installation

- Spring loaded retention arms allow for easy installation with no need for a recessed housing
- Off-board driver/junction box includes two 1/2" KO's and three-port poke-in connectors
- Extension power cables (2', 10', 20') available
- Suitable for damp locations

Warranty

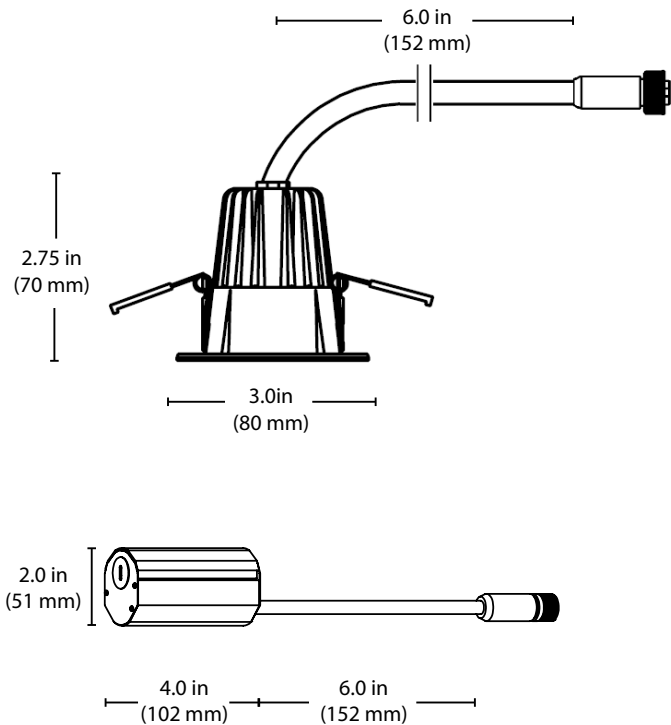
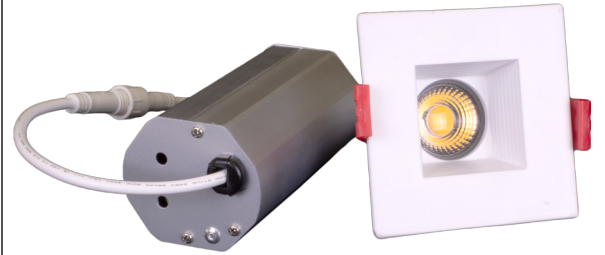
- 5-year limited system warranty standard
- Warranty does not cover product failure due to an overvoltage event (power surge)
- For installations where power surge may be possible, NICOR recommends installing additional surge protection at the electrical distribution panel

Project _____

Catalog _____

Type _____

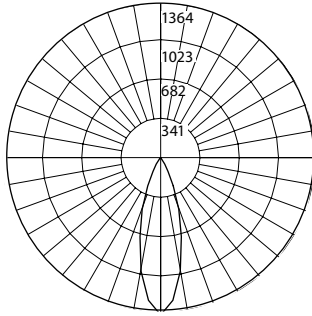
Date _____



Photometric Data

DQD2 2700K

Input Voltage (VAC)	120V
System Level Power (W)	8.3
Delivered Lumens (Lm)	575
System Efficacy (Lm/W)	69.6
Correlated Color Temp (K)	2734
Color Rendering Index (CRI)	98
Beam Angle	38.2°
Spacing Criteria	0.65



Intensity Summary (Candle Power)

Angle	Mean CP
0	1364
5	1295
15	845
25	354
35	50
45	10
55	7
65	5
75	3
85	1
90	0

CCT Data Multiplier

DQD2-10-120-3K	1.029
DQD2-10-120-4K	1.056
DQD2-10-120-4K	1.082

Cone of Light Tabulation

Mounted height (Feet)	Footcandles Beam Center	Diameter (Feet)
4	80.1	2.8
6	35.6	4.2
8	20.0	5.6
10	12.8	7.0
12	8.9	8.4
14	6.5	9.8
16	5.0	11.2

Zonal Lumen Summary

Zone	Lumens	% of Luminaire
0-30	510	88.8%
0-40	550	95.7%
0-60	565	98.3%
0-90	575	100.0%
90-180	0	0.0%
0-180	575	100.0%

Fixture tested per LM-79-08. Photometric data is of the performance of a representative fixture. Results may vary in the field.

Performance Data

Model Number	Lumens	Watts	Lumens/Watt
DQD211202KWHBF	575	8.3	69.6
DQD211203KWHBF	592	8.3	71.3
DQD211204KWHBF	607	8.3	73.1
DQD211205KWHBF	622	8.3	74.9

Recommended Dimmers*

Legrand Adorne softTap ADT703TU703TU
 Lutron DIVA DVELV-303P
 Lutron RADIO RA RRD-6CL
 Lutron Skylark SELV-300P
 LEVITON C22-06672-1LW

*Not a complete list. Check compatibility before installation.

Ordering Information

Example: DQD211203KWHBF

Series	Version	Voltage	CCT's	Trim Color	Baffle
DQD2	1 (Version 1)	120 (120V)	2K (2700 K)	WH (White)	BF (Baffle)
			3K (3000 K)		
			4K (4000 K)		
			5K (5000 K)		

Specifications and dimensions subject to change without notice.

Accessories

2" Rough In Template	ROUGHIN-TEMPLATE-2
24" Extension Cable	DLE-EXTCABLE-24
10' Extension Cable	DRIVER-EXTCABLE-10
20' Extension Cable	DRIVER-EXTCABLE-20