

dyson airblade tap

PRE-INSTALLATION INFORMATION

AB AB AB
09 10 11



Sink specification guidelines

Using a specially designed test method, Dyson engineers tested a wide range of sinks to assess their compatibility with the Dyson Airblade Tap hand dryer. For recommended sinks, please use our guide at www.dyson.com/docs

Porcelain or brushed metal sinks are ideal.

Sinks with highly polished surfaces should be avoided e.g. reflective chrome.

Tap mounting

The tap stem (measured from the outside diameter) should be mounted $\frac{1}{2}$ " - $1\frac{1}{2}$ " from the outside edge of the sink. (Fig.2)

There should be a minimum of $11\frac{1}{2}$ " between a tap center and a side wall. When multiple taps are installed side-by-side, tap centers should be a minimum of 23" apart. This allows sufficient space for mounting the motor bucket, as well as sufficient shoulder room for users. (Fig.4)

Fig.1

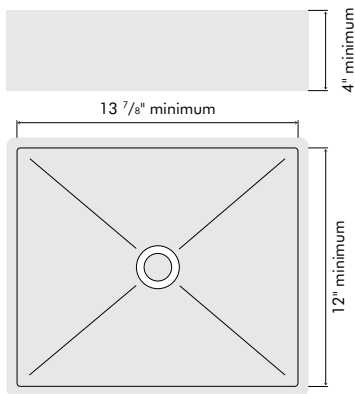


Fig.2

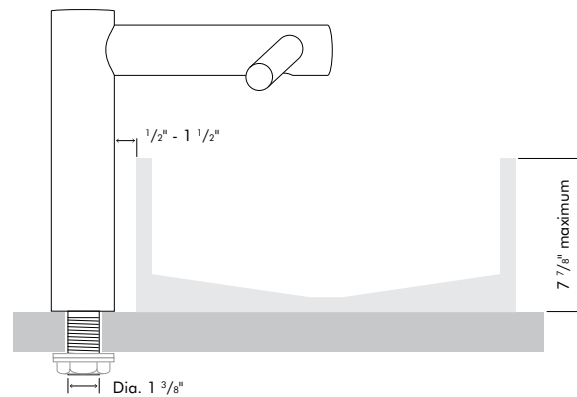


Fig.3

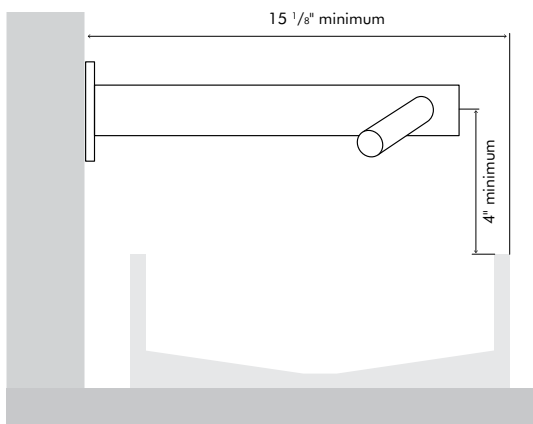
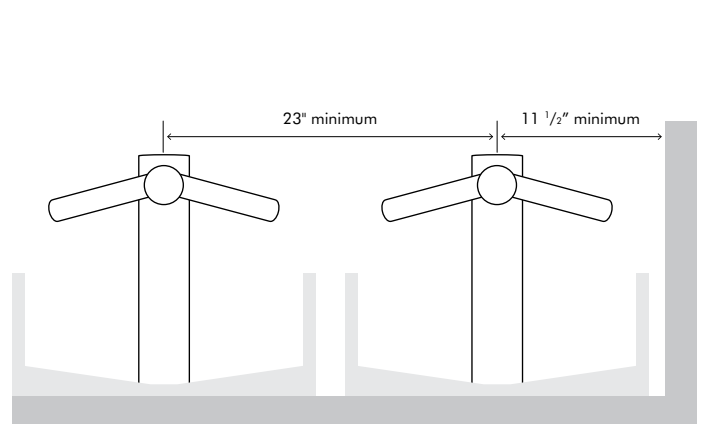


Fig.4



Sink dimensions (All internal measurements unless otherwise stated)

Fig.1 Width of sink minimum: $13\frac{7}{8}$ ", Front to back of sink minimum: 12" Internal depth of sink minimum (for all taps): 4"

Fig.2 Maximum depth of sink for Long Neck Tap (AB10) only: $7\frac{7}{8}$ " (External measurement of vessel/pedestal sink)

Fig.3 Minimum distance from center of horizontal arm to top of sink (AB11 only) 4". Front edge of sink (all types – pedestal, recessed, slab) to wall minimum 4".

Fig.4 Minimum distance between tap center and a side wall $11\frac{1}{2}$ ". Multiple taps should have a minimum distance between tap centers of 23".

dyson airblade tap

AB AB AB
09 10 11

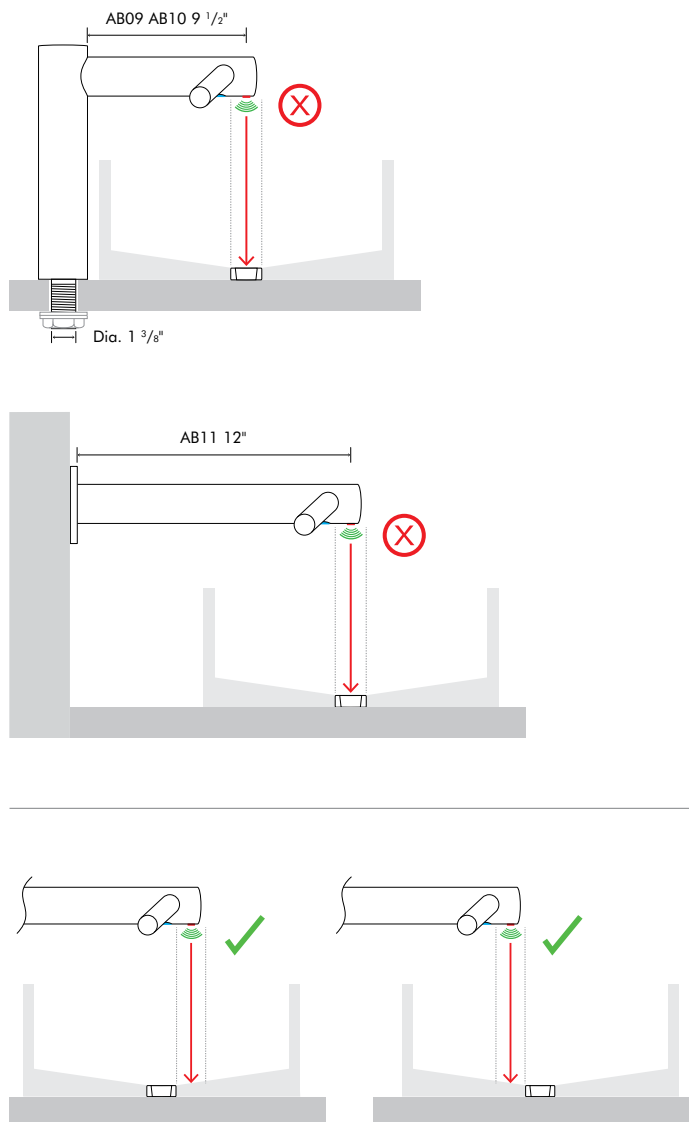
Tap mounting

Do not place the downward facing water sensor of the tap over a reflective surface, such as the drainage hole. (Fig.5)

For complete instructions, please refer to the printed installation guide supplied with the machine.

It's also available online at www.dyson.com/docs

Fig.5



Soap and locating the soap dispenser

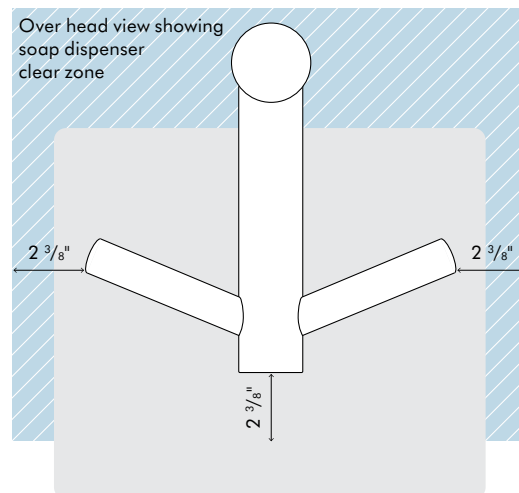
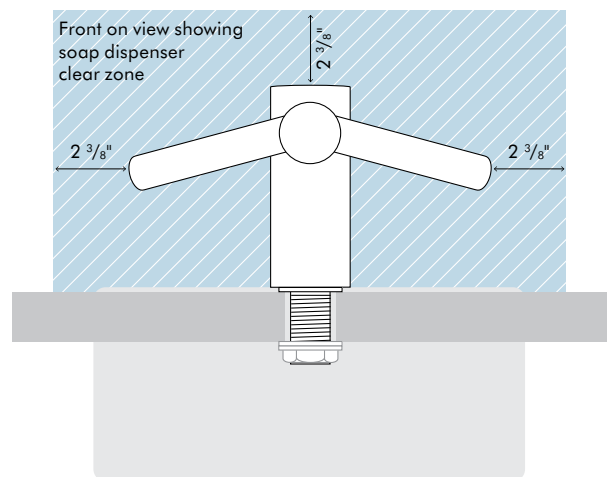
For best user experience, Dyson recommends the use of gel soaps.

The infrared sensing zone for air activation extends along each tap branch. In order to prevent accidental activation, it's important to consider the user's hand route to the soap dispenser.

The dispenser should be located at least 2 3/8" outside the width of the tap, so the user reaches around the side of the branch.

It should also be located at least 2 3/8" above the branches, so that the sensors are not activated.

Please note that the user may reach diagonally across for the soap, so this path must not go through the sensing zone.



Water drainage

Due to high velocity air and water being in close proximity, there is a chance of some water and soap dispersion outside the sink dimensions. To alleviate this effect, we recommend following the below guidelines.

Base Profile

Flat base profile will result in poor drainage leading to high levels of splashback.

To improve drainage, avoid sinks with a flat base with particular focus on the immediate area surrounding the drain hole, minimum $2\frac{3}{8}$ " radius (Fig.7).

Fig.6

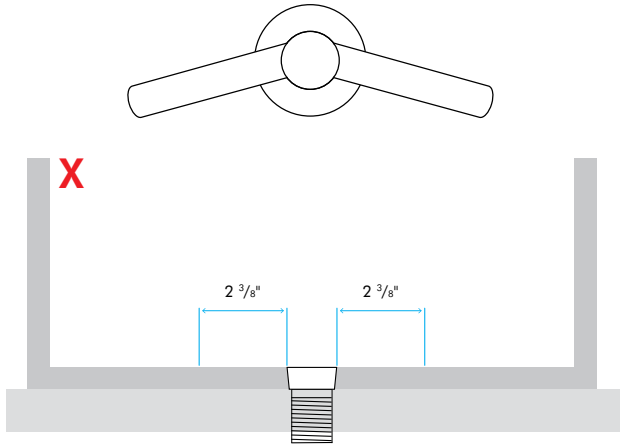
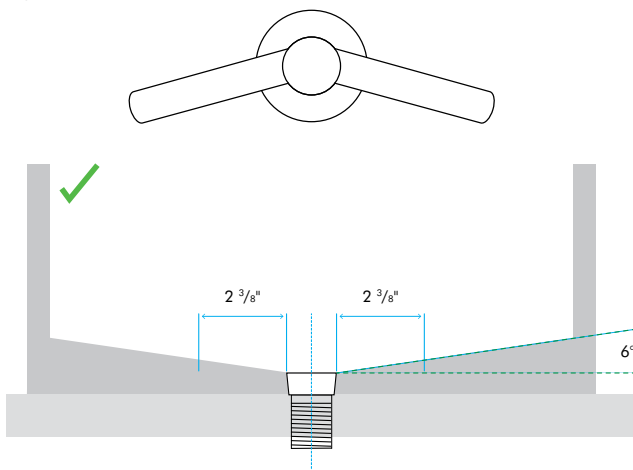


Fig.7

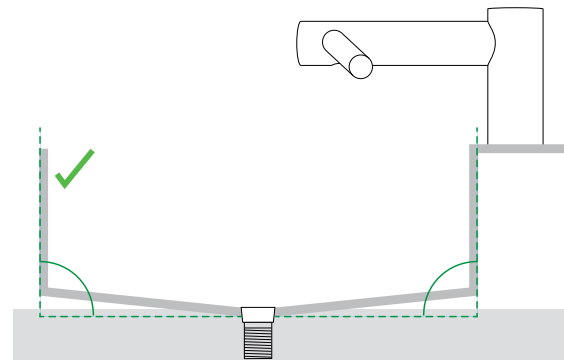


Minimum of 6° ramp angle from the edge of the drain hole of the sink will result in good drainage leading to reduced levels of splashback (minimum $2\frac{3}{8}$ " radius).

Base to back and front wall transition

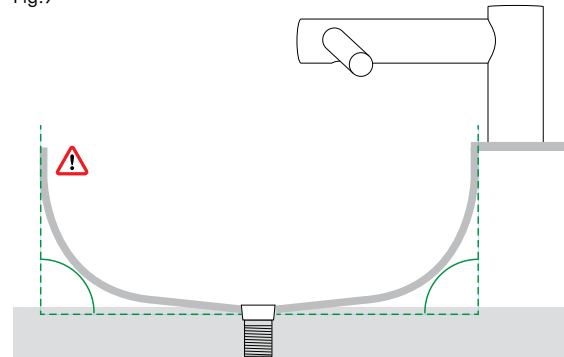
The base to back and front wall transition should also be considered. The back wall should be as close to 90° , and at as sharp a radius as possible (Fig.8). Curved geometry is more likely to increase splashback, whereas sloping back and front wall transitions should be avoided (Fig.9 & 10).

Fig.8



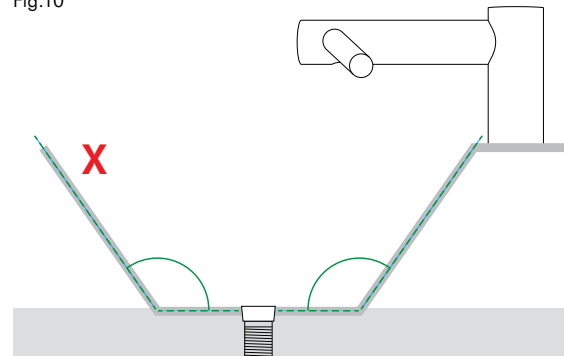
Vertical and sharp transition

Fig.9



Vertical and smooth transition

Fig.10



Sloped transition

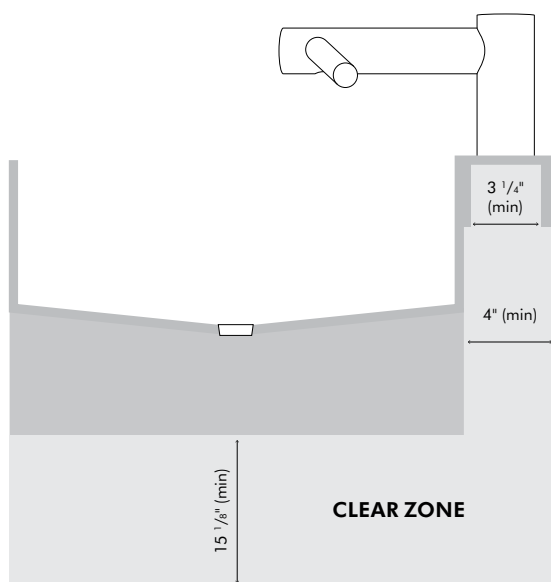
dyson airblade tap

AB AB AB
09 10 11

Sink access guidelines

It is recommended that the following guidelines are followed to ensure there is sufficient access under the sink to allow for servicing and installation to take place (Fig.11).

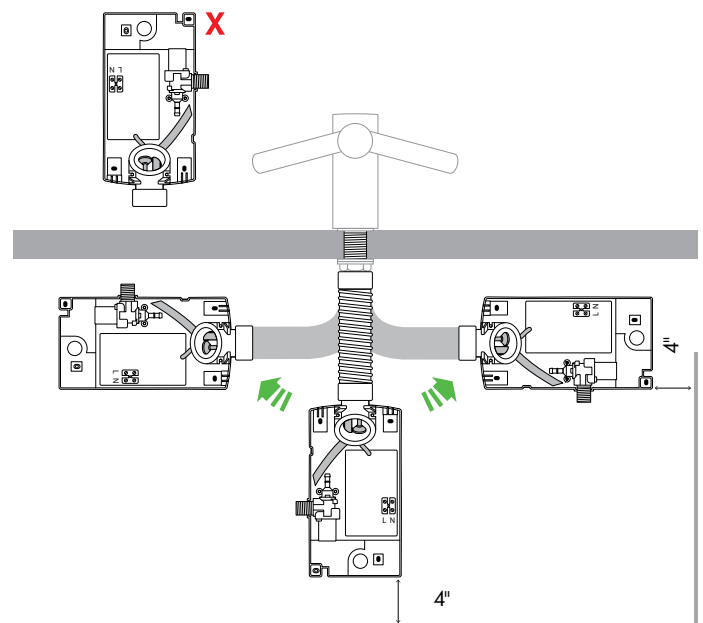
Fig.11



Mounting the motor bucket (AB09/AB10)

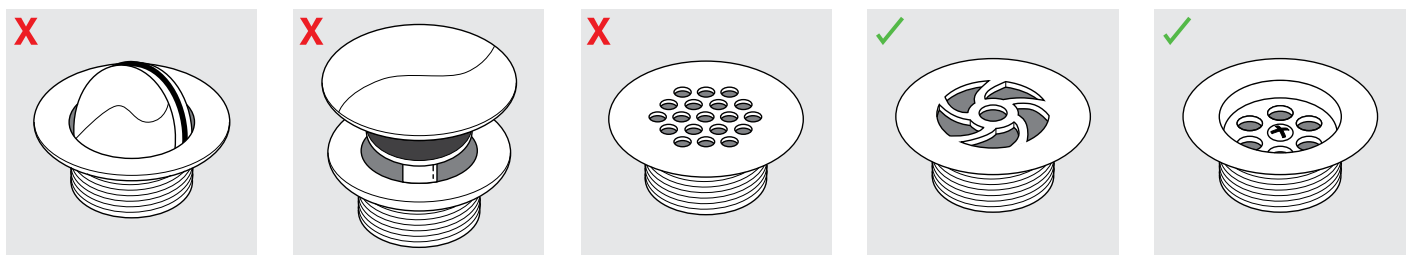
Ensure 4" minimum clearance from bottom of motor bucket to floor/wall. The motor bucket cannot be mounted upside down or installed above the sink. Only the following is advised (Fig.12).

Fig.12



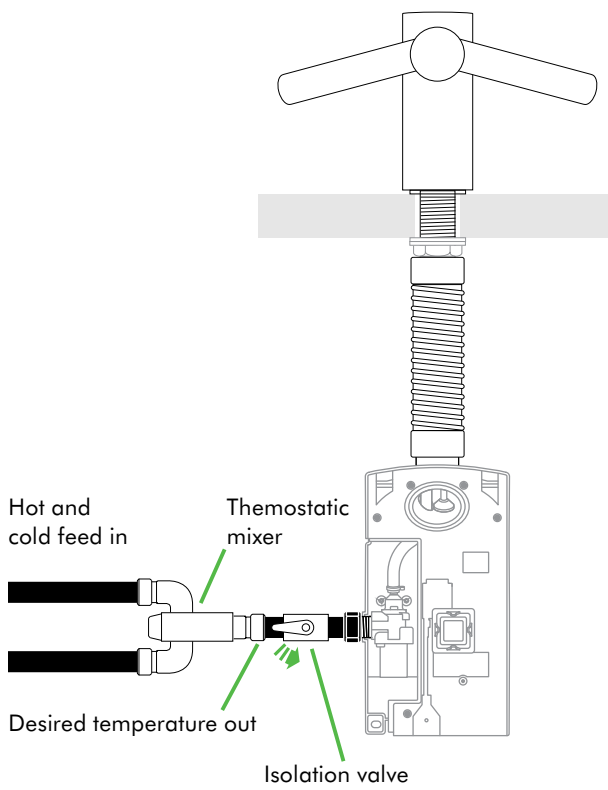
Plug hole

Plug holes with the most open aperture are recommended, whereas grill or perforated type plug holes should be avoided as they restrict the drainage of soapy water (lather). Do not use plugs within the plug holes in sinks.

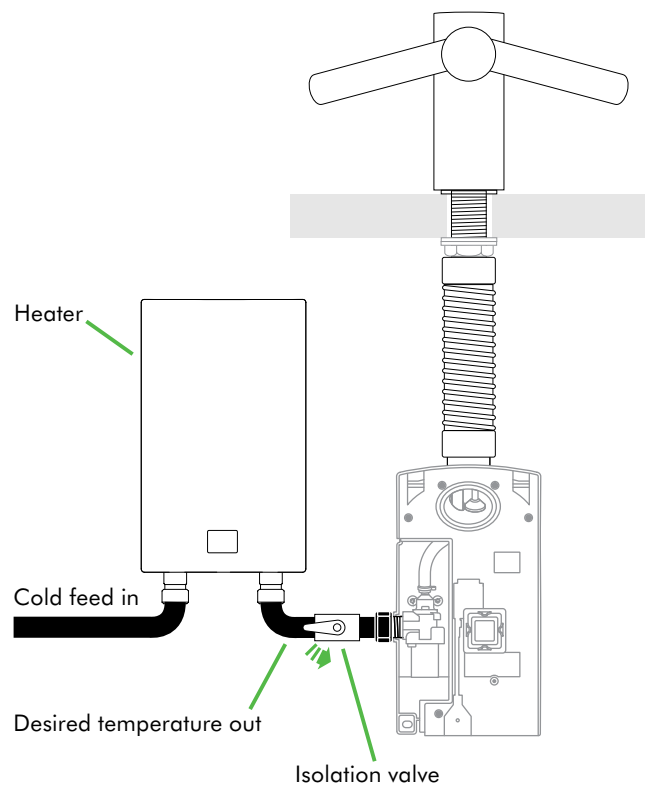


Water temperature control

If you are connecting a hot and cold water feed you will need to install a thermostatic mixer.



If connecting to cold only water feed you will need to install a heater.



dyson airblade tap

AB AB AB
09 10 11

Installing AB11

The AB11 Dyson Airblade Tap hand dryer is designed so that the motor unit is located behind a stud wall within a metal enclosure which is supplied with the Dyson Airblade Tap hand dryer (Fig.13). The vertical wall studs must be constructed so as to allow the metal enclosure to be fitted between them (Fig.14). One of the horizontal wall studs must be fitted a) so it holds the main weight of the metal duct and the unit, and b) so it is in the correct position for the tap stem.

For complete instructions, please refer to the printed installation guide supplied with the machine.
It's also available online at www.dyson.com/docs

Fig.13



AB11 metal enclosure assembly

Fig.14

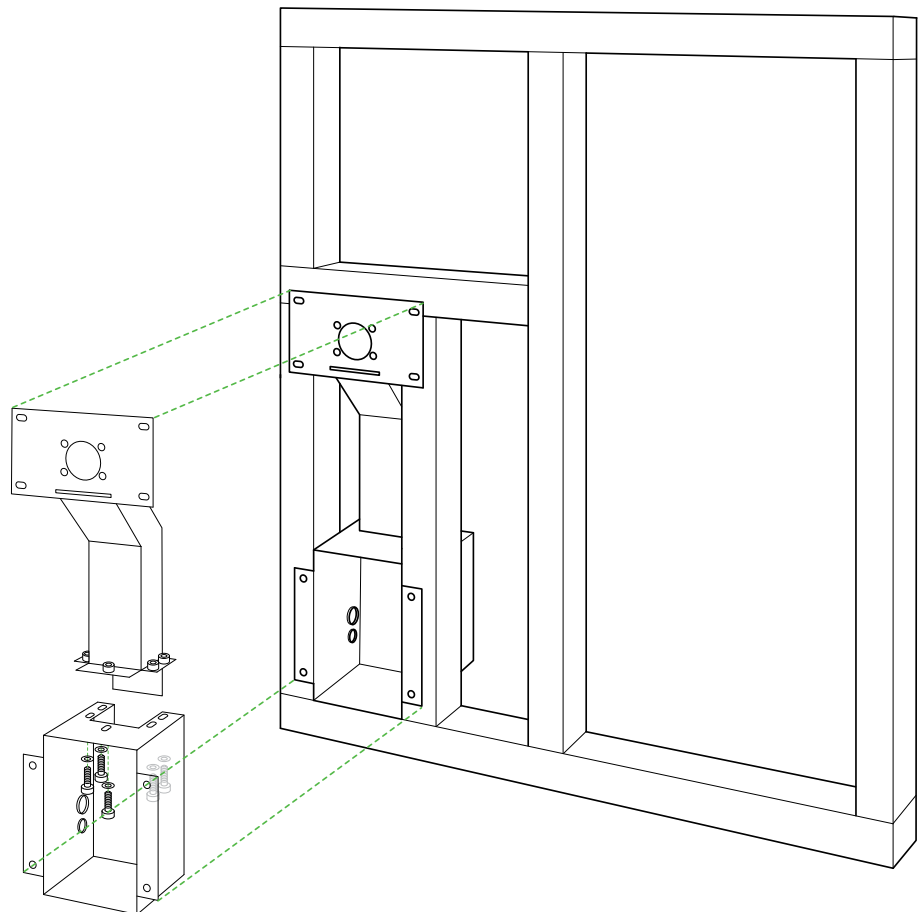


Fig.15

Install plasterboard.

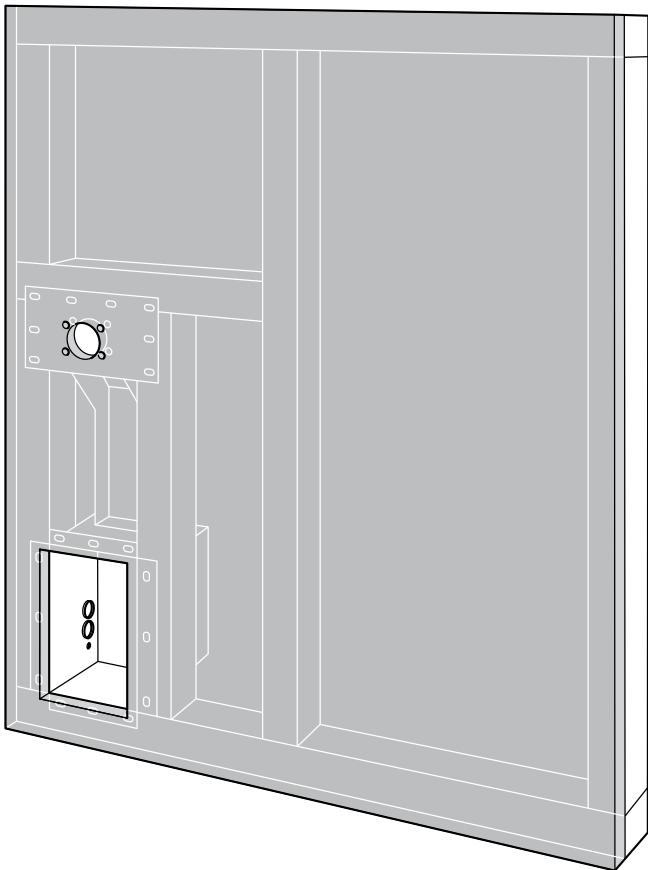
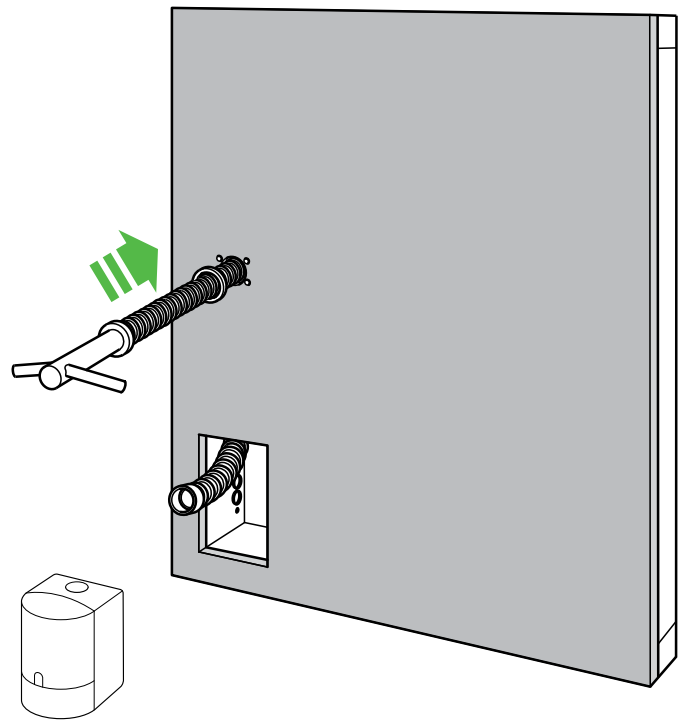


Fig.16

Install Dyson Airblade Tap Hand dryer.



dyson airblade tap



Tools required

To install this unit you will need (4) screws, and appropriate fittings

Torx T15 screw driver – long handle

Electrical drill with 1 3/8" drill bit

4 wall plugs (check suitability for wall type)

1/4" flat head screwdriver

Flat terminal block screwdriver

1 7/16" mm Box spanner

1 1/2" spanner

Sharp knife/blade

Pan head screws, 1/4" in diameter, toggle or masonry type

Conduit as per local electrical regulations

Electrical

Input voltage/Frequency: 200-253V 50 & 60Hz

Isolated by switch fuse spur or RCD as appropriate

Current 6.6 Amps

Cable specification: 3 core PVC 1.5 mm cross sectional area

Local electrical regulations must be adhered to when installing or repairing the product

Rated power: 1400 W

Operating temperature range: 0° – 40°C

Standby power consumption: Less than 0.5 W

Water operation

Water flow rate: 4 l/min normal fitted aerator.

1.9 l/m with low flow aerator supplied with product

Water temperature control: There is no in-built function to change the temperature of the water. The use of a Thermostatic mixer or heater (not included) is recommended.

Water pressure required: 1-8 bar

1/2" BSP male thread on tap inlet

1/2" BSP isolation valve required for service, placed after thermostatic mixer or heater

Maximum altitude: 2,000m/6,561 ft.

Water supply cleanliness and biological growth

In some countries there are regulations or guidelines that require temperature controlled water supply systems (such as that supplied to the Dyson Airblade Tap hand dryer) to be subjected to regular cleaning to minimise any biological growth.

To enable you to meet these regulations, the Dyson Airblade Tap hand dryer has been designed and tested to withstand internal cleaning both with hot water up to 203°F and with sodium hypochlorite at a concentration of 0.45%.

Please refer to specific (market) regulations and water supply system recommendations for information on cleaning regimes for water supply cleanliness and biological growth for your country.

When carrying out internal cleaning of the Dyson Airblade Tap hand dryer, please be aware of any safety considerations when using hot water or chemicals. Dyson will not be responsible for any injury caused by this process.

Abusive testing

The Dyson Airblade Tap hand dryer has undergone rigorous abusive testing to ensure that it can withstand substantial forces and impacts typical of a commercial and public bathroom environment.

For further information please contact Dyson.

1-888-397-6622

www.dyson.com