

# DGF4

## 4" LED Recessed Adjustable Floating Gimbal

### Product Description

The DGF LED Floating Gimbal Series offers an Airtight, IC rated gimbal that simplifies challenging lighting installations into easily tailored masterpieces. The high performing light engine with off-board driver allows for more flexible installations and increased lifetime with improved thermal management. The DGF fixture uses a plenum-rated cable connector to link the downlight module to the remote driver box and then pops into place with its adjustable, spring-loaded retention tabs for a secure fit, eliminating the need for a J-box or recessed housing. Directional lighting is now easier than ever with 90° tilt and 360° rotation making the DGF perfect for architectural accents such as living rooms, hallways, stairways and corridors.

#### Construction

- Fully enclosed aluminum housing
- Adjustable, spring loaded retention tabs ensure secure fixture retention

#### Optical System

- Available in CCTs of 3000 and 4000 Kelvin
- COB maintains 4-step MacAdams with  $\text{duv} < \pm 0.003$
- 90+ CRI and an  $R9 > 50$
- TIR optic provides smooth, uniform light with a 29° beam angle
- 90° Tilt with 360° rotation of the housing

#### Electrical

- 120VAC 50/60Hz input to driver
- Off-board driver/junction box includes three 1/2" KOs and three-port poke-in connectors
- Dimmable to less than 5% with compatible TRIAC dimmers
- Operating temperature rating of 0°F to 120°F (-18°C to 49°C)
- L70 Lifetime rated for greater than 54,000 hours
- LM-79, LM-80 testing performed in accordance with IESNA standards

#### Finish

- White or Oil-Rubbed Bronze powder coat finish

#### Mounting and Installation

- Spring loaded retention arms allow for easy installation into ceilings up to 1" thick with no need for a recessed housing
- Extension power cables (10', 20') available

#### Listings

- LM-79, LM-80 testing performed in accordance with IESNA standards
- UL/cUL1598 Listed for damp locations
- Certified Type IC for direct contact with insulation
- Airtight per ASTM E283
- RoHS Compliant
- Meets FCC Part 15, Subpart B, Class B standards for conducted and radiated emissions
- LED lumen maintenance: L70(9k) > 54,000 hrs

#### Warranty

- 5-year limited system warranty standard
- Warranty does not cover product failure due to an overvoltage event (power surge)
- For installations where power surge may be possible, NICOR recommends installing additional surge protection at the electrical distribution panel

Project

Catalog

Type

Date

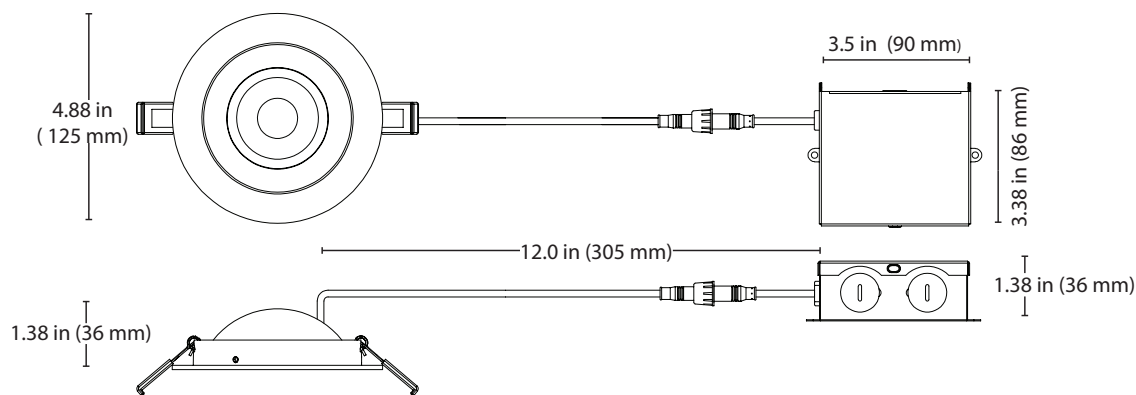


**DGF4**  
**9W**

LED Recessed Floating Gimbal



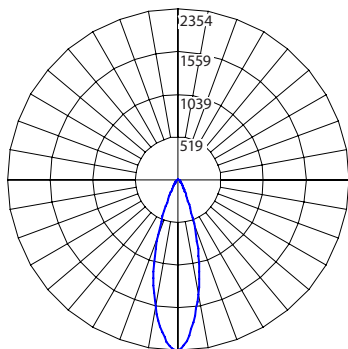
## Dimensions



## Photometric Data

### DGF4 3000K

Input Voltage (VAC)	120V
System Level Power (W)	8.8
Delivered Lumens (Lm)	756
System Efficacy (Lm/W)	85.9
Correlated Color Temp (K)	3031
Color Rendering Index (CRI)	95
Beam Angle	29°
Spacing Criteria	0.47



#### Intensity Summary (Candle Power)

Angle	Mean CP
0	2077
5	1820
15	944
25	283
35	99
45	47
55	29
65	19
75	11
85	3
90	0

#### CCT Data Multiplier

4000K	1.093
-------	-------

#### Cone of Light Tabulation

Mounted height (Feet)	Footcandles Beam Center	Diameter (Feet)
4	128.7	2.0
6	56.1	3.0
8	30.7	4.0
10	19.0	5.1
12	12.7	6.1
14	9.0	7.1
16	6.5	8.1

#### Zonal Lumen Summary

Zone	Lumens	% of Luminaire
0-30	589	77.8%
0-40	655	86.6%
0-60	720	95.2%
0-90	756	100%
90-180	0	0%
0-180	756	100%

#### Performance Data - Round

CCT Setting	Lumens	Watts	Lumens/Watt
3000K	756	8.8	85.9
4000K	827	8.8	94.0

#### Recommended Dimmers\*

Legrand Adorne softap DTP703TU  
Lutron Caseta PD-10XN  
Lutron Skylark SELV 300P  
Leviton Decora Smart DW6HD

\*Not a complete list.  
Check compatibility before installation.

## Ordering Information

Example: DGF421203KRDWH

Series	Version	Input Voltage	CCT's	Shape	Trim Color
DGF4	2 (Version 2)	120 (V)	3K (3000K)	RD (Round)	WH (White)
			4K (4000K)		OB (Oil-Rubbed Bronze)

Specifications and dimensions subject to change without notice.

## Accessories

4" Rough In Template	ROUGHIN-TEMPLATE-4
10' Extension Cable	DRIVER-EXTCABLE-10
20' Extension Cable	DRIVER-EXTCABLE-20