

# DGC4

## 4" LED Recessed Gimbal

### Product Description

The DGC LED Downlight Gimbal Series offers an Airtight, IC rated gimbal that simplifies challenging lighting installations into easily tailored masterpieces. The high performing light engine with off-board driver allows for more flexible installations and increased lifetime with improved thermal management. The DGC fixture uses a plenum-rated cable connector to link the downlight module to the remote driver box and then pops into place with its adjustable, spring-loaded retention tabs for a secure fit, eliminating the need for a J-box or recessed housing. Directional lighting is now easier than ever with 25° tilt and 360° rotation making the DGC perfect for architectural accents such as living rooms, hallways, stairways and corridors.

#### Construction

- Fully enclosed aluminum housing
- Adjustable, spring loaded retention tabs ensure secure fixture retention
- Certified for direct contact with insulation

#### Optical System

- Available in CCTs of 3000 and 4000 Kelvin
- COB maintains 4-step MacAdams with  $\text{duv} < \pm 0.003$
- 90+ CRI and an  $R9 > 50$
- TIR optic provides smooth, uniform light with a 33° beam angle
- 25° Tilt with 360° rotation of the housing

#### Electrical

- 120VAC 50/60Hz input to driver
- Off-board driver/junction box includes three 1/2" KOs and three-port poke-in connectors
- Dimmable to less than 5% with compatible TRIAC dimmers
- Operating temperature rating of 0°F to 120°F (-18°C to 49°C)
- L70 Lifetime rated for greater than 54,000 hours
- LM-79, LM-80 testing performed in accordance with IESNA standards

#### Finish

- White or Oil-Rubbed Bronze powder coat finish

#### Mounting and Installation

- Spring loaded retention arms allow for easy installation into ceilings up to 1" thick with no need for a recessed housing
- Extension power cables (10', 20') available

#### Listings

- LM-79, LM-80 testing performed in accordance with IESNA standards
- UL/cUL1598 Listed for damp locations
- Certified Type IC for direct contact with insulation
- Airtight per ASTM E283
- RoHS Compliant
- Meets FCC Part 15, Subpart B, Class B standards for conducted and radiated emissions
- LED lumen maintenance:  $L70(9k) > 54,000$  hrs

#### Warranty

- 5-year limited system warranty standard
- Warranty does not cover product failure due to an overvoltage event (power surge)
- For installations where power surge may be possible, NICOR recommends installing additional surge protection at the electrical distribution panel

Project

Catalog

Type

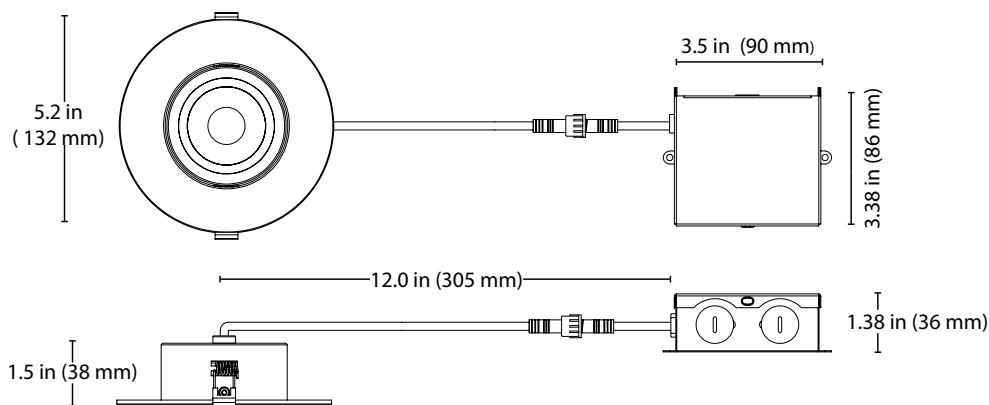
Date



**DGC4**  
**9W**  
LED Recessed Gimbal



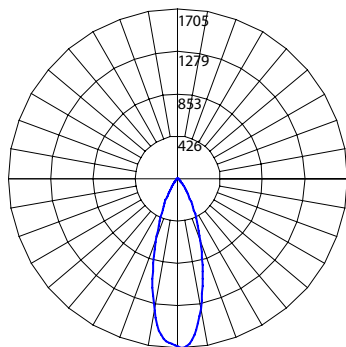
## Dimensions



## Photometric Data

### DGC4 3000K

|                             |      |
|-----------------------------|------|
| Input Voltage (VAC)         | 120V |
| System Level Power (W)      | 8.9  |
| Delivered Lumens (Lm)       | 756  |
| System Efficacy (Lm/W)      | 84.9 |
| Correlated Color Temp (K)   | 3014 |
| Color Rendering Index (CRI) | 95   |
| Beam Angle                  | 33°  |
| Spacing Criteria            | 0.57 |



### Intensity Summary (Candle Power)

| Angle | Mean CP |
|-------|---------|
| 0     | 1700    |
| 5     | 1638    |
| 15    | 973     |
| 25    | 436     |
| 35    | 150     |
| 45    | 34      |
| 55    | 19      |
| 65    | 9       |
| 75    | 4       |
| 85    | 0       |
| 90    | 0       |

### CCT Data Multiplier

|       |       |
|-------|-------|
| 4000K | 1.093 |
|-------|-------|

### Cone of Light Tabulation

| Mounted height<br>(Feet) | Footcandles<br>Beam Center | Diameter<br>(Feet) |
|--------------------------|----------------------------|--------------------|
| 4                        | 106.8                      | 2.4                |
| 6                        | 47.5                       | 3.6                |
| 8                        | 26.6                       | 4.8                |
| 10                       | 16.8                       | 6.0                |
| 12                       | 11.3                       | 7.2                |
| 14                       | 8.1                        | 8.4                |
| 16                       | 6.0                        | 9.6                |

### Zonal Lumen Summary

| Zone   | Lumens | % of Luminaire |
|--------|--------|----------------|
| 0-30   | 604    | 79.9%          |
| 0-40   | 695    | 91.8%          |
| 0-60   | 739    | 97.9%          |
| 0-90   | 756    | 100%           |
| 90-180 | 0      | 0%             |
| 0-180  | 756    | 100%           |

### Performance Data - Round

| CCT Setting | Lumens | Watts | Lumens/Watt |
|-------------|--------|-------|-------------|
| 3000K       | 756    | 8.9   | 84.9        |
| 4000K       | 827    | 8.9   | 92.9        |

### Recommended Dimmers\*

Legrand Adorne softap DTP703TU  
 Lutron Caseta PD-6WCL  
 Lutron Caseta PD-10XN  
 Lutron Skylark SELV 300P  
 Leviton Decora 6672

\*Not a complete list.  
 Check compatibility before installation.

## Ordering Information

Example: DGC421203KRDWH

| Series | Version       | Input Voltage | CCT's      | Shape      | Trim Color             |
|--------|---------------|---------------|------------|------------|------------------------|
| DGC4   | 2 (Version 2) | 120 (VAC)     | 3K (3000k) | RD (Round) | WH (White)             |
|        |               |               | 4K (4000k) |            | OB (Oil-Rubbed Bronze) |

Specifications and dimensions subject to change without notice.

## Accessories

|                      |                    |
|----------------------|--------------------|
| 4" Rough In Template | ROUGHIN-TEMPLATE-4 |
| 10' Extension Cable  | DRIVER-EXTCABLE-10 |
| 20' Extension Cable  | DRIVER-EXTCABLE-20 |